



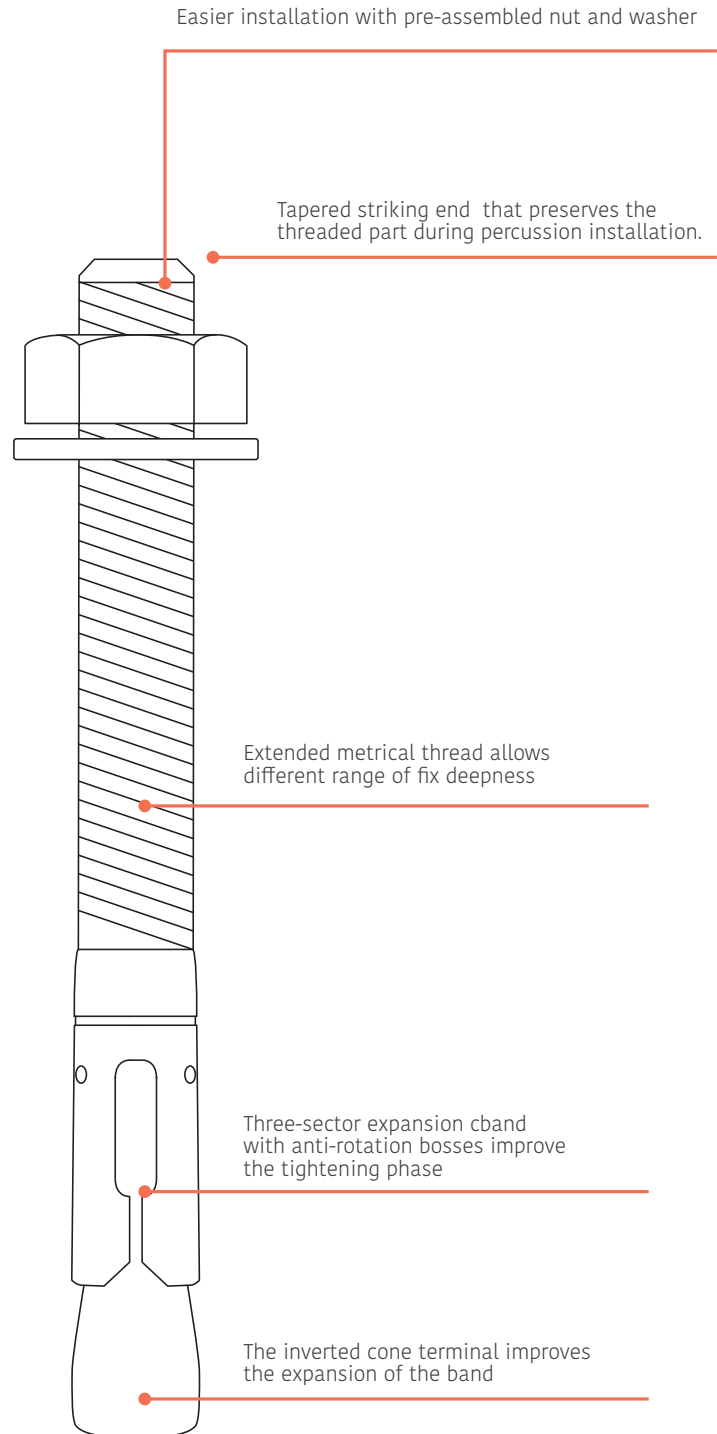
THROUGH BOLTS/ SLEEVE ANCHORS

TM C7 - TM-FL - TMCS - SXL V - DIBOLT



TM-FL

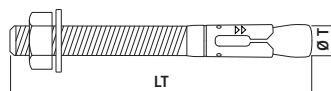
Through-bolt expansion anchor in steel for cracked and non-cracked concrete, suitable for applications on compact materials for high load capacity. Suitable for heavy carpentry, temporary structures, industrial shelving, awnings, anchoring of air conditioning and electrical systems, shelves, stairs, elevator tracks, cable carrier structures, gates and railings, road signs, street furniture, etc



Steel through bolt anchors

SUPPORT MATERIAL CONCRETE, NATURAL STONE, SOLID BRICKS, SOLID CONCRETE BRICK

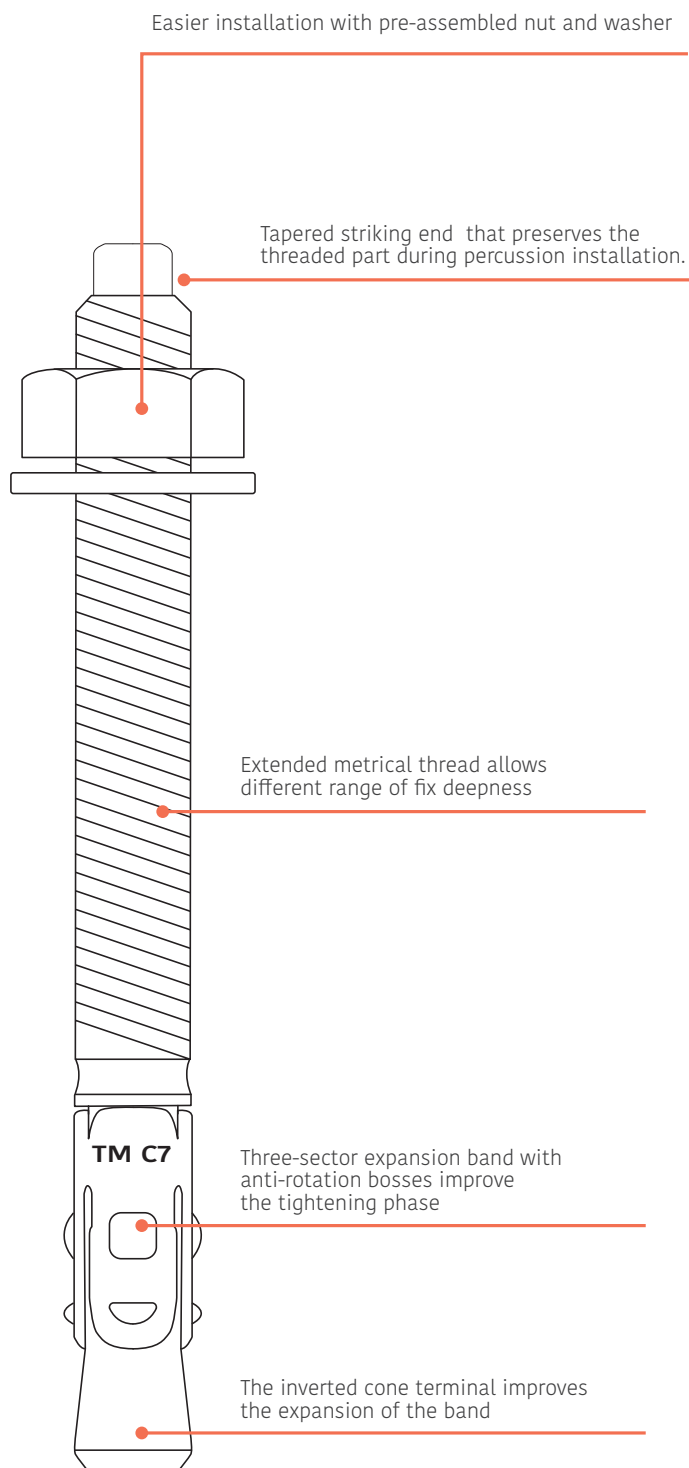
TM-FL - Steel Through bolt anchor



Code	Description	Ø T mm	LT mm	T/FIX mm	Box	Pack
NB52979	Steel Through bolt anchor TM-FL 6x45	6	45	1	200 pcs	5 Boxes
NB54300	Steel Through bolt anchor TM-FL 6x60	6	60	2	200 pcs	5 Boxes
NB52986	Steel Through bolt anchor TM-FL 6x80	6	80	22	200 pcs	5 Boxes
NB52988	Steel Through bolt anchor TM-FL 6x100	6	100	42	100 pcs	5 Boxes
NB59633	Steel Through bolt anchor TM-FL 8x50	8	50	4	100 pcs	5 Boxes
NB59635	Steel Through bolt anchor TM-FL 8x65	8	65	8	100 pcs	5 Boxes
NB52993	Steel Through bolt anchor TM-FL 8x75	8	75	5	100 pcs	5 Boxes
NB53006	Steel Through bolt anchor TM-FL 8x90	8	90	20	100 pcs	5 Boxes
NB59640	Steel Through bolt anchor TM-FL 8x115	8	115	45	50 pcs	5 Boxes
NB61520	Steel Through bolt anchor TM-FL 8x130	8	130	60	50 pcs	5 Boxes
NB61522	Steel Through bolt anchor TM-FL 8x160	8	160	85	25 pcs	5 Boxes
NB61524	Steel Through bolt anchor TM-FL 8x180	8	180	90	20 pcs	5 Boxes
NB61526	Steel Through bolt anchor TM-FL 8x200	8	200	130	20 pcs	5 Boxes
NB53013	Steel Through bolt anchor TM-FL 10x70	10	70	3	50 pcs	5 Boxes
NB53014	Steel Through bolt anchor TM-FL 10x80	10	80	13	50 pcs	5 Boxes
NB53020	Steel Through bolt anchor TM-FL 10x90	10	90	10	50 pcs	5 Boxes
NB53025	Steel Through bolt anchor TM-FL 10x100	10	100	20	50 pcs	5 Boxes
NB53037	Steel Through bolt anchor TM-FL 10x120	10	120	40	50 pcs	5 Boxes
NB53039	Steel Through bolt anchor TM-FL 10x140	10	140	60	50 pcs	5 Boxes
NB53043	Steel Through bolt anchor TM-FL 10x150	10	150	70	50 pcs	5 Boxes
NB53041	Steel Through bolt anchor TM-FL 10x170	10	170	90	25 pcs	5 Boxes
NB53047	Steel Through bolt anchor TM-FL 10x210	10	210	130	20 pcs	5 Boxes
NB53049	Steel Through bolt anchor TM-FL 12x75	12	75	5	50 pcs	5 Boxes
NB53044	Steel Through bolt anchor TM-FL 12x90	12	90	13	25 pcs	5 Boxes
NB74988	Steel Through bolt anchor TM-FL 12x110	12	110	18	25 pcs	5 Boxes
NB59664	Steel Through bolt anchor TM-FL 12x140	12	140	48	25 pcs	5 Boxes
NB61537	Steel Through bolt anchor TM-FL 12x160	12	160	68	25 pcs	5 Boxes
NB61540	Steel Through bolt anchor TM-FL 12x180	12	180	88	25 pcs	5 Boxes
NB61543	Steel Through bolt anchor TM-FL 12x200	12	200	120	20 pcs	5 Boxes
NB61545	Steel Through bolt anchor TM-FL 12x240	12	240	150	10 pcs	5 Boxes
NB54105	Steel Through bolt anchor TM-FL 14x95	14	95	5	25 pcs	5 Boxes
NB54110	Steel Through bolt anchor TM-FL 14x110	14	110	7	25 pcs	5 Boxes
NB54115	Steel Through bolt anchor TM-FL 14x130	14	130	15	25 pcs	5 Boxes
NB54120	Steel Through bolt anchor TM-FL 14x145	14	145	35	25 pcs	5 Boxes
NB54125	Steel Through bolt anchor TM-FL 14x160	14	160	55	25 pcs	5 Boxes
NB54130	Steel Through bolt anchor TM-FL 14x180	14	180	68	25 pcs	5 Boxes
NB59671	Steel Through bolt anchor TM-FL 16x90	16	90	4	20 pcs	5 Boxes
NB59673	Steel Through bolt anchor TM-FL 16x110	16	110	24	10 pcs	5 Boxes
NB53075	Steel Through bolt anchor TM-FL 16x125	16	125	3	10 pcs	5 Boxes
NB53082	Steel Through bolt anchor TM-FL 16x145	16	145	23	10 pcs	5 Boxes
NB54287	Steel Through bolt anchor TM-FL 16x170	16	170	48	10 pcs	5 Boxes
NB54292	Steel Through bolt anchor TM-FL 16x220	16	220	98	20 pcs	3 Boxes
NB54294	Steel Through bolt anchor TM-FL 20x145	20	145	8	5 pcs	5 Boxes
NB53341	Steel Through bolt anchor TM-FL 20x170	20	170	23	5 pcs	5 Boxes
NB53358	Steel Through bolt anchor TM-FL 20x220	20	220	73	5 pcs	5 Boxes
NB53360	Steel Through bolt anchor TM-FL 20x270	20	270	123	5 pcs	5 Boxes
NB53362	Steel Through bolt anchor TM-FL 24x180	24	180	-	5 pcs	2 Boxes
NB53364	Steel Through bolt anchor TM-FL 24x260	24	260	-	5 pcs	2 Boxes

TM C7

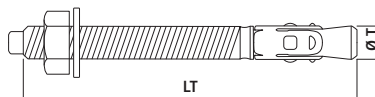
Through-bolt expansion anchor in steel, ETA Option 7 certified for un-cracked concrete, suitable for applications on compact materials for high load capacity. Suitable for heavy carpentry, temporary structures, industrial shelving, awnings, anchoring of air conditioning and electrical systems, shelves, stairs, elevator tracks, cable carrier structures, gates and railings, road signs, street furniture, etc.



Steel through bolt anchors

SUPPORT MATERIAL CONCRETE, NATURAL STONE, SOLID CONCRETE BRICK

TM C7 - Through bolt anchor



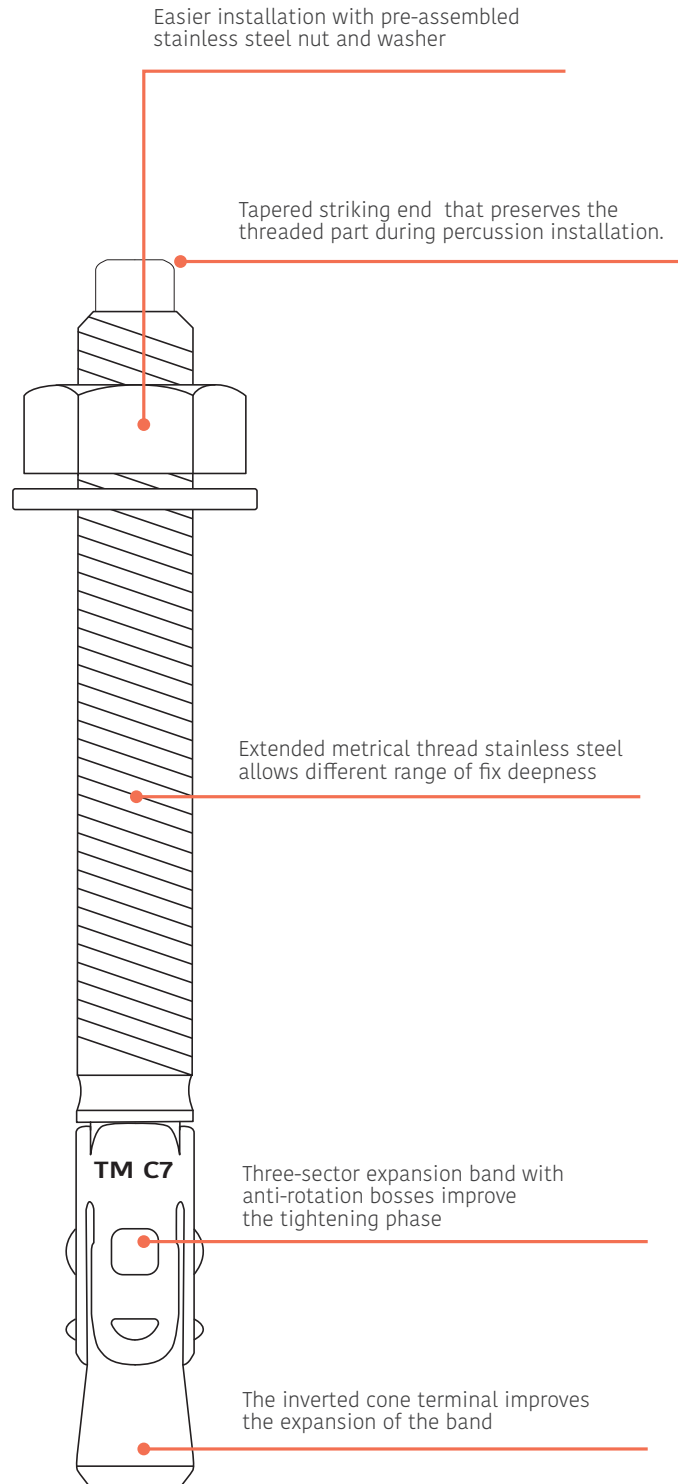
option 7



Code	Description	Ø T mm	LT mm	T/FIX mm	Box	Pack
NB56185*	Steel Through bolt anchor TM C 7 6x60	6	60	2	200 pcs	5 Boxes
NB56190*	Steel Through bolt anchor TM C 7 6x80	6	80	22	200 pcs	5 Boxes
NB56200	Steel Through bolt anchor TM C 7 8x60	8	60	3	100 pcs	5 Boxes
NB56205	Steel Through bolt anchor TM C 7 8x75	8	75	5	100 pcs	5 Boxes
NB56210	Steel Through bolt anchor TM C 7 8x90	8	90	30	100 pcs	5 Boxes
NB56215	Steel Through bolt anchor TM C 7 8x120	8	120	45	50 pcs	5 Boxes
NB56300	Steel Through bolt anchor TM C 7 10x80	10	80	13	50 pcs	5 Boxes
NB56305	Steel Through bolt anchor TM C 7 10x90	10	90	15	50 pcs	5 Boxes
NB56307	Steel Through bolt anchor TM C 7 10x100	10	100	25	50 pcs	5 Boxes
NB56310	Steel Through bolt anchor TM C 7 10x120	10	120	40	50 pcs	5 Boxes
NB56315	Steel Through bolt anchor TM C 7 10x140	10	140	60	25 pcs	5 Boxes
NB56320	Steel Through bolt anchor TM C 7 10x160	10	160	80	25 pcs	5 Boxes
NB56390	Steel Through bolt anchor TM C 7 12x90	12	90	13	25 pcs	5 Boxes
NB56400	Steel Through bolt anchor TM C 7 12x100	12	100	20	25 pcs	5 Boxes
NB56405	Steel Through bolt anchor TM C 7 12x110	12	110	23	25 pcs	5 Boxes
NB56407	Steel Through bolt anchor TM C 7 12x120	12	120	28	25 pcs	5 Boxes
NB56410	Steel Through bolt anchor TM C 7 12x140	12	140	48	25 pcs	5 Boxes
NB56415	Steel Through bolt anchor TM C 7 12x160	12	160	68	25 pcs	5 Boxes
NB56420	Steel Through bolt anchor TM C 7 12x180	12	180	88	10 pcs	5 Boxes
NB56520*	Steel Through bolt anchor TM C 7 14x120	14	120	22	25 pcs	5 Boxes
NB56545*	Steel Through bolt anchor TM C 7 14x145	14	145	37	25 pcs	5 Boxes
NB56600	Steel Through bolt anchor TM C 7 16x125	16	125	10	10 pcs	5 Boxes
NB56605	Steel Through bolt anchor TM C 7 16x145	16	145	23	10 pcs	5 Boxes
NB56610	Steel Through bolt anchor TM C 7 16x175	16	175	48	10 pcs	5 Boxes
NB56670*	Steel Through bolt anchor TM C 7 20x170	20	170	23	5 pcs	5 Boxes
NB56770*	Steel Through bolt anchor TM C 7 20x220	20	220	73	5 pcs	5 Boxes

TM C7 - In stainless steel A4

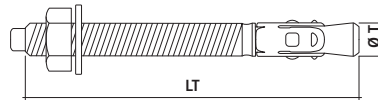
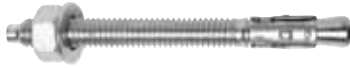
Through-bolt expansion anchor in stainless steel A4, ETA Option 7 certified for un-cracked concrete, suitable for applications on compact materials for high load capacity. Suitable for heavy carpentry, temporary structures, industrial shelving, awnings, anchoring of air conditioning and electrical systems, shelves, stairs, elevator tracks, cable carrier structures, gates and railings, road signs, street furniture, etc.



Steel through bolt anchors

SUPPORT MATERIAL CONCRETE, NATURAL STONE,, SOLID CONCRETE BRICK

TM C 7 - Steel Through bolt anchor inox A4



Inox A4



Codice	Descrizione	Ø T mm	LT mm	T/FIX mm	Box	Pack
NB57113	Steel Through bolt anchor inox A4 TM C 7 8X75	8	75	5	100 pcs	5 Boxes
NB57116	Steel Through bolt anchor inox A4 TM C 7 8x90	8	90	20	100 pcs	5 Boxes
NB57119	Steel Through bolt anchor inox A4 TM C 7 8x115	8	115	45	50 pcs	5 Boxes
NB57130	Steel Through bolt anchor inox A4 TM C 7 10x70	10	70	3	100 pcs	5 Boxes
NB57133	Steel Through bolt anchor inox A4 TM C 7 10x90	10	90	10	50 pcs	5 Boxes
NB57136	Steel Through bolt anchor inox A4 TM C 7 10x120	10	120	40	50 pcs	5 Boxes
NB57139	Steel Through bolt anchor inox A4 TM C 7 10x150	10	150	70	10 pcs	5 Boxes
NB57150	Steel Through bolt anchor inox A4 TM C 7 12x75	12	75	5	25 pcs	5 Boxes
NB57153	Steel Through bolt anchor inox A4 TM C 7 12x90	12	90	13	25 pcs	5 Boxes
NB57156	Steel Through bolt anchor inox A4 TM C 7 12X110	12	110	18	25 pcs	5 Boxes
NB57159	Steel Through bolt anchor inox A4 TM C 7 12x140	12	140	48	25 pcs	5 Boxes
NB57170	Steel Through bolt anchor inox A4 TM C 7 16x90	16	90	5	20 pcs	5 Boxes
NB57173	Steel Through bolt anchor inox A4 TM C 7 16X145	16	145	25	10 pcs	5 Boxes
NB57176	Steel Through bolt anchor inox A4 TM C 7 16x170	16	170	48	10 pcs	5 Boxes
NB57190	Steel Through bolt anchor inox A4 TM C 7 20x120	20	120	5	5 pcs	5 Boxes
NB57193	Steel Through bolt anchor inox A4 TM C 7 20x170	20	170	25	5 pcs	5 Boxes
NB57196	Steel Through bolt anchor inox A4 TM C 7 20x220	20	220	73	5 pcs	5 Boxes

Installation of cable rail and heavy duty carpentry



TM CS

Through-bolt expansion anchor ETA C1 - C2 suited for seismic area certified for un-cracked concrete, suitable for applications on compact materials for high load capacity. Suitable for heavy carpentry, temporary structures, industrial shelving, awnings, anchoring of air conditioning and electrical systems, shelves, stairs, elevator tracks, cable carrier structures, gates and railings, road signs, street furniture, etc.

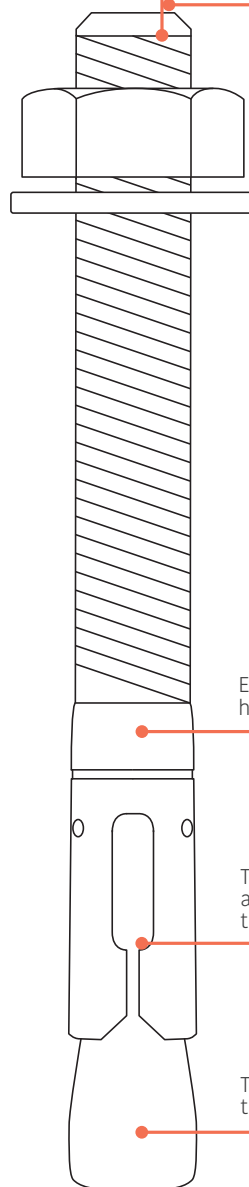


Seismic
Cat. C1-C2



Easier installation with pre-assembled stainless steel nut and washer

Tapered striking end that preserves the threaded part during percussion installation.



Extended metrical thread with highlighted minimal deepness

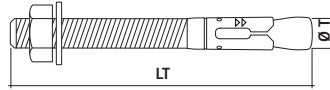
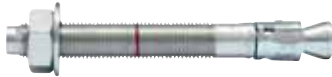
Three-sector expansion band with anti-rotation bosses improve the tightening phase

The inverted cone terminal improves the expansion of the band

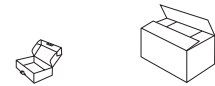
Steel through bolt anchors

SUPPORT MATERIAL CONCRETE, NATURAL STONE, SOLID CONCRETE BRICK

TM CS - Steel Through bolt anchor



C1-C2



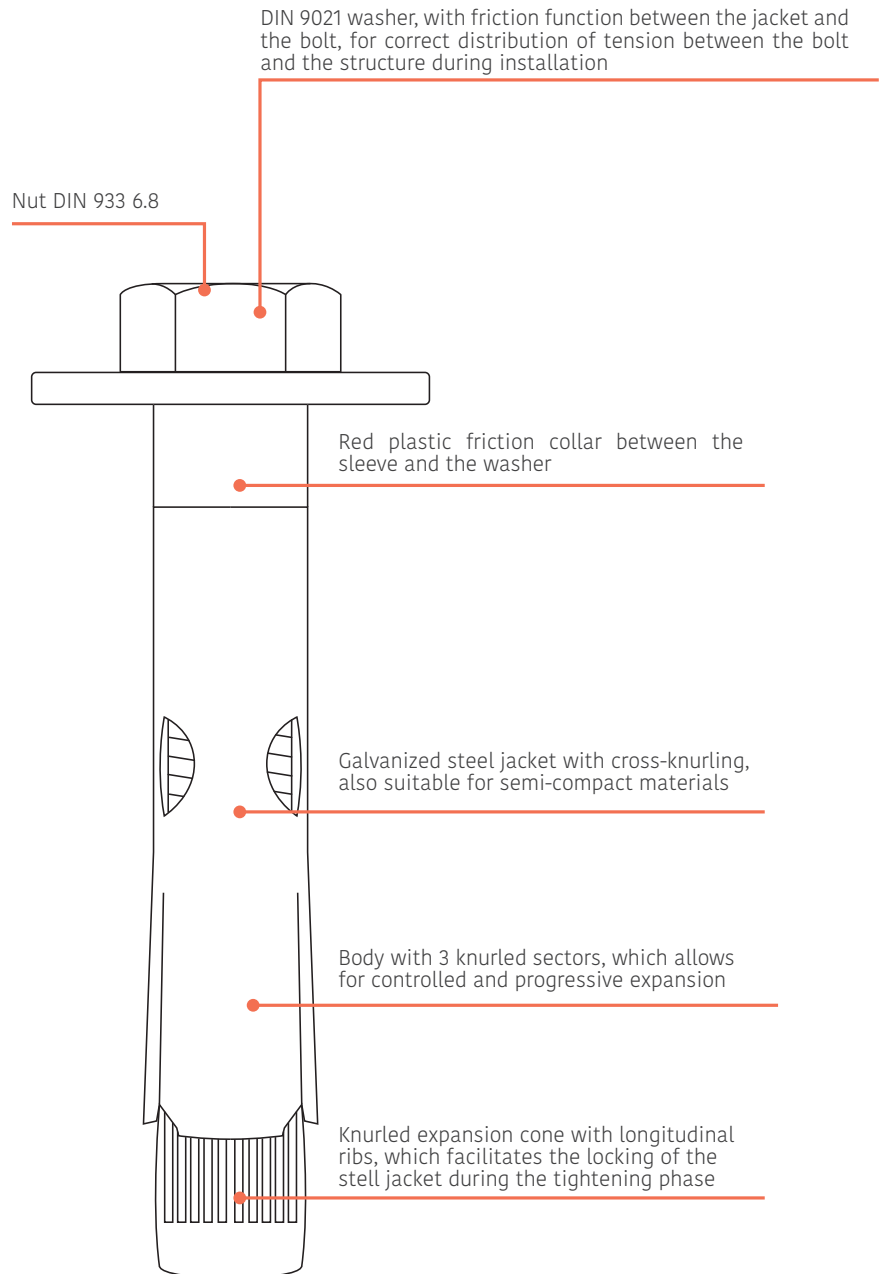
Code	Description	Ø T mm	LT mm	T/FIX mm	Boxes	Pack
NB58000	Steel Through bolt anchor TM CS 8x80	8	80	10	50 pcs	5 Boxes
NB58005	Steel Through bolt anchor TM CS 8x90	8	90	20	50 pcs	5 Boxes
NB58010	Steel Through bolt anchor TM CS 8x110	8	110	40	50 pcs	5 Boxes
NB58015	Steel Through bolt anchor TM CS 8x130	8	130	60	50 pcs	5 Boxes
NB58020	Steel Through bolt anchor TM CS 8x170	8	170	100	25 pcs	5 Boxes
NB58025	Steel Through bolt anchor TM CS 10x95	10	95	10	25 pcs	5 Boxes
NB58030	Steel Through bolt anchor TM CS 10x105	10	105	20	25 pcs	5 Boxes
NB58035	Steel Through bolt anchor TM CS 10x125	10	125	40	25 pcs	5 Boxes
NB58040	Steel Through bolt anchor TM CS 10x145	10	145	60	25 pcs	5 Boxes
NB58045	Steel Through bolt anchor TM CS 10x185	10	185	100	25 pcs	5 Boxes
NB58050	Steel Through bolt anchor TM CS 10x245	10	245	160	15 pcs	5 Boxes
NB58055	Steel Through bolt anchor TM CS 12x115	12	115	10	25 pcs	5 Boxes
NB58060	Steel Through bolt anchor TM CS 12x125	12	125	20	25 pcs	5 Boxes
NB58065	Steel Through bolt anchor TM CS 12x145	12	145	40	15 pcs	5 Boxes
NB58070	Steel Through bolt anchor TM CS 12x165	12	165	60	15 pcs	5 Boxes
NB58075	Steel Through bolt anchor TM CS 12x205	12	205	100	10 pcs	5 Boxes
NB58080	Steel Through bolt anchor TM CS 12x225	12	225	120	10 pcs	5 Boxes
NB58085	Steel Through bolt anchor TM CS 12x245	12	245	140	10 pcs	5 Boxes
NB58090	Steel Through bolt anchor TM CS 12x265	12	265	160	10 pcs	5 Boxes
NB58095	Steel Through bolt anchor TM CS 12x305	12	305	200	15 pcs	3 Boxes
NB58100	Steel Through bolt anchor TM CS 12x350	12	350	245	15 pcs	3 Boxes
NB58105	Steel Through bolt anchor TM CS 16x130	16	130	5	10 pcs	5 Boxes
NB58110	Steel Through bolt anchor TM CS 16x145	16	145	20	10 pcs	5 Boxes
NB58115	Steel Through bolt anchor TM CS 16x165	16	165	40	5 pcs	5 Boxes
NB58120	Steel Through bolt anchor TM CS 16x225	16	225	100	5 pcs	5 Boxes
NB58125	Steel Through bolt anchor TM CS 20x170	20	170	30	5 pcs	5 Boxes
NB58130	Steel Through bolt anchor TM CS 20x200	20	200	60	5 pcs	5 Boxes



Installation of safety ladders and parapets

SXL-V

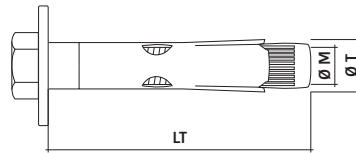
Sleeve anchor, in light steel with expansion. Suitable for applications on compact and semi-compact materials for medium-capacity loads. Recommended for metal carpentry, temporary structures, industrial shelving, awnings, anchoring of air conditioning, hydraulic and electrical systems, shelves, stairs, elevator tracks, cable carrier structures, gates and railings, road signs, street furniture, windows, etc..



Sleeve anchors

SUPPORT MATERIAL CONCRETE, NATURAL STONE, SOLID BRICKS, SOLID CONCRETE BRICK

SXL-V - Sleeve anchor with screw TE 6.8 and washer



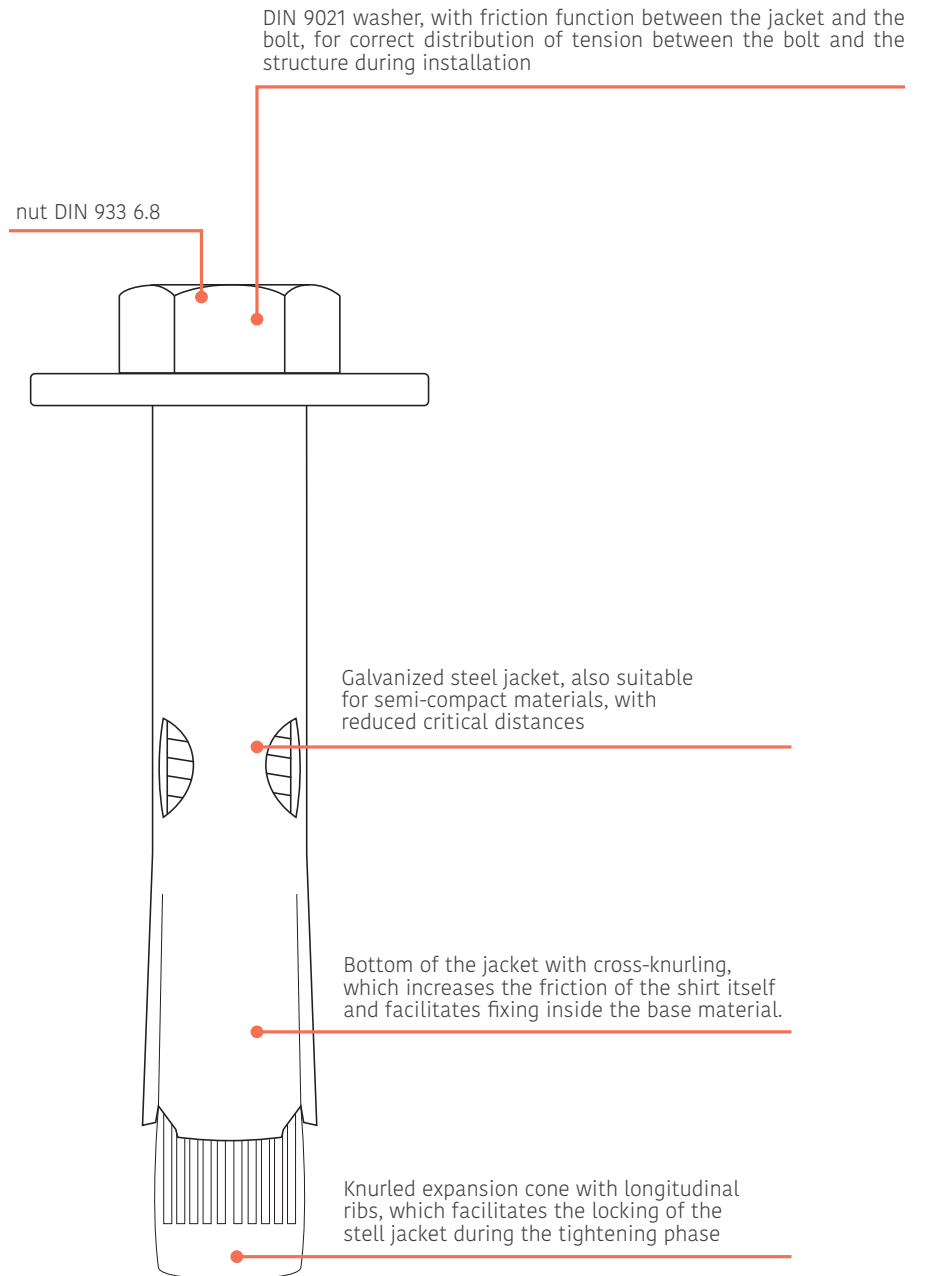
Code	Description	Ø M	LT mm	Ø T mm	Box	Pack
NB1496	Sleeve anchor SXL-V E8x45 with screw TE	6	45	8	100 pcs	5 Boxes
NB1502	Sleeve anchor SXL-V E8x60 with screw TE	6	60	8	100 pcs	5 Boxes
NB1533	Sleeve anchor SXL-V E10x60 with screw TE	8	60	10	50 pcs	5 Boxes
NB1540	Sleeve anchor SXL-V E10x80 with screw TE	8	80	10	50 pcs	5 Boxes
NB1571	Sleeve anchor SXL-V E12x70 with screw TE	10	70	12	50 pcs	5 Boxes
NB1588	Sleeve anchor SXL-V E12x100 with screw TE	10	100	12	25 pcs	5 Boxes
NB1595	Sleeve anchor SXL-V E14x75 with screw TE	10	75	14	40 pcs	5 Boxes
NB1601	Sleeve anchor SXL-V E14x100 with screw TE	10	100	14	25 pcs	5 Boxes
NB1618	Sleeve anchor SXL-V E16x80 with screw TE	12	80	16	25 pcs	5 Boxes
NB1625	Sleeve anchor SXL-V E16x110 with screw TE	12	110	16	25 pcs	5 Boxes



▲ Installation of industrial metal shelving

DIBOLT- with TE 6.8- 8.8 screw

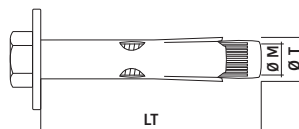
Sleeve anchor, in light steel with expansion. Suitable for applications on compact and semi-compact materials for medium-capacity loads. Recommended for metal carpentry, temporary structures, industrial shelving, awnings, anchoring of air conditioning, hydraulic and electrical systems, shelves, stairs, elevator tracks, cable carrier structures, gates and railings, road signs, street furniture, windows, etc..



Sleeve anchors

SUPPORT MATERIAL CONCRETE, NATURAL STONE, SOLID BRICKS, SOLID CONCRETE BRICK

DIBOLT - Sleeve anchors with screw TE 6.8



Code	Description	Ø M	LT mm	Ø T mm	Box	Pack
NB61582	Sleeve anchors DIBOLT E8x50 with screw TE 6.8	6	50	8	100 pcs	5 Boxes
NB61599	Sleeve anchors DIBOLT E8x70 with screw TE 6.8	6	70	8	100 pcs	5 Boxes
NB61605	Sleeve anchors DIBOLT E10x55 with screw TE 6.8	8	55	10	50 pcs	5 Boxes
NB61612	Sleeve anchors DIBOLT E10x75 with screw TE 6.8	8	75	10	50 pcs	5 Boxes
NB61629	Sleeve anchors DIBOLT E10x100 with screw TE 6.8	8	100	10	50 pcs	5 Boxes
NB61636	Sleeve anchors DIBOLT E10x120 with screw TE 6.8	8	120	10	50 pcs	5 Boxes
NB61643	Sleeve anchors DIBOLT E12x65 with screw TE 6.8	10	65	12	50 pcs	5 Boxes
NB61650	Sleeve anchors DIBOLT E12x80 with screw TE 6.8	10	80	12	50 pcs	5 Boxes
NB61667	Sleeve anchors DIBOLT E12x100 with screw TE 6.8	10	100	12	50 pcs	5 Boxes
NB61674	Sleeve anchors DIBOLT E12x120 with screw TE 6.8	10	120	12	50 pcs	5 Boxes

DIBOLT - Sleeve anchors with screw TE 8.8



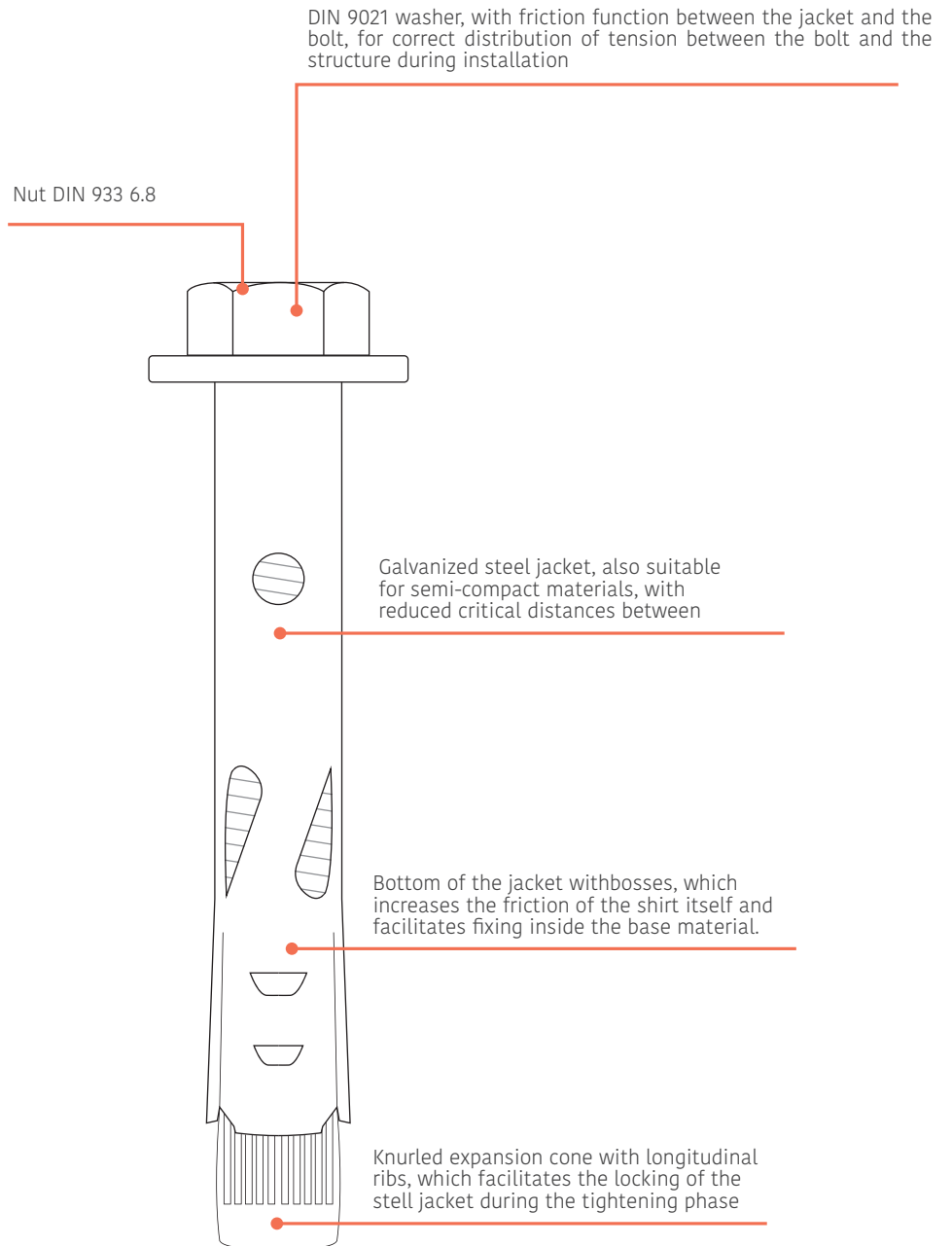
Code	Description	Ø M	LT mm	Ø T mm	Box	Pack
NB61700	Sleeve anchors DIBOLT E8x50 with screw TE 8.8	6	50	8	100 pcs	5 Boxes
NB61705	Sleeve anchors DIBOLT E8x70 with screw TE 8.8	6	70	8	100 pcs	5 Boxes
NB61707	Sleeve anchors DIBOLT E8x90 with screw TE 8.8	6	90	8	50 pcs	5 Boxes
NB61710	Sleeve anchors DIBOLT E10x55 with screw TE 8.8	8	55	10	50 pcs	5 Boxes
NB61715	Sleeve anchors DIBOLT E10x75 with screw TE 8.8	8	75	10	50 pcs	5 Boxes
NB61720	Sleeve anchors DIBOLT E10x100 with screw TE 8.8	8	100	10	50 pcs	5 Boxes
NB61725	Sleeve anchors DIBOLT E10x120 with screw TE 8.8	8	120	10	50 pcs	5 Boxes
NB61748	Sleeve anchors DIBOLT E10x140 with screw TE 8.8	8	140	10	50 pcs	5 Boxes
NB61730	Sleeve anchors DIBOLT E12x65 with screw TE 8.8	10	65	12	50 pcs	5 Boxes
NB61735	Sleeve anchors DIBOLT E12x80 with screw TE 8.8	10	80	12	50 pcs	5 Boxes
NB61740	Sleeve anchors DIBOLT E12x100 with screw TE 8.8	10	100	12	50 pcs	5 Boxes
NB61745	Sleeve anchors DIBOLT E12x120 with screw TE 8.8	10	120	12	50 pcs	5 Boxes
NB61757	Sleeve anchors DIBOLT E14x80 with screw TE 8.8	10	80	14	50 pcs	5 Boxes
NB61759	Sleeve anchors DIBOLT E14x100 with screw TE 8.8	10	100	14	40 pcs	5 Boxes
NB61762	Sleeve anchors DIBOLT E14x120 with screw TE 8.8	10	120	14	30 pcs	5 Boxes
NB61768	Sleeve anchors DIBOLT E14x140 with screw TE 8.8	10	140	14	40 pcs	5 Boxes
NB61772	Sleeve anchors DIBOLT E16x 80 with screw TE 8.8	12	80	16	30 pcs	5 Boxes
NB61774	Sleeve anchors DIBOLT E16x110 with screw TE 8.8	12	110	16	25 pcs	5 Boxes
NB61777	Sleeve anchors DIBOLT E16x130 with screw TE 8.8	12	130	16	20 pcs	5 Boxes
NB61779	Sleeve anchors DIBOLT E16x150 with screw TE 8.8	12	150	16	20 pcs	5 Boxes
NB61782	Sleeve anchors DIBOLT E20x90 with screw TE 8.8	16	90	20	15 pcs	5 Boxes
NB61784	Sleeve anchors DIBOLT E20x110 with screw TE 8.8	16	110	20	15 pcs	5 Boxes
NB61787	Sleeve anchors DIBOLT E20x130 with screw TE 8.8	16	130	20	10 pcs	5 Boxes
NB61789	Sleeve anchors DIBOLT E20x150 with screw TE 8.8	16	150	20	10 pcs	5 Boxes
NB61791	Sleeve anchors DIBOLT E20x180 with screw TE 8.8	16	180	20	10 pcs	5 Boxes

DIBOLT- with TE 8.8 screw

Sleeve anchor, in light steel with expansion ETA opt.7. Suitable for applications on compact and semi-compact materials for medium-capacity loads. Recommended for metal carpentry, temporary structures, industrial shelving, awnings, anchoring of air conditioning, hydraulic and electrical systems, shelves, stairs, elevator tracks, cable carrier structures, gates and railings, road signs, street furniture, windows, etc..



ETAG 001-02 for cracked and un-cracked concrete (cen/ts 1992-4 Mode A)



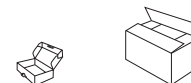
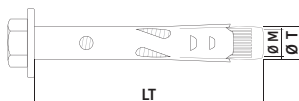
Sleeve anchors

SUPPORT MATERIAL CONCRETE, NATURAL STONE, SOLID BRICKS, SOLID CONCRETE BRICK

DIBOLT CE - Sleeve anchors with screw TE 8.8



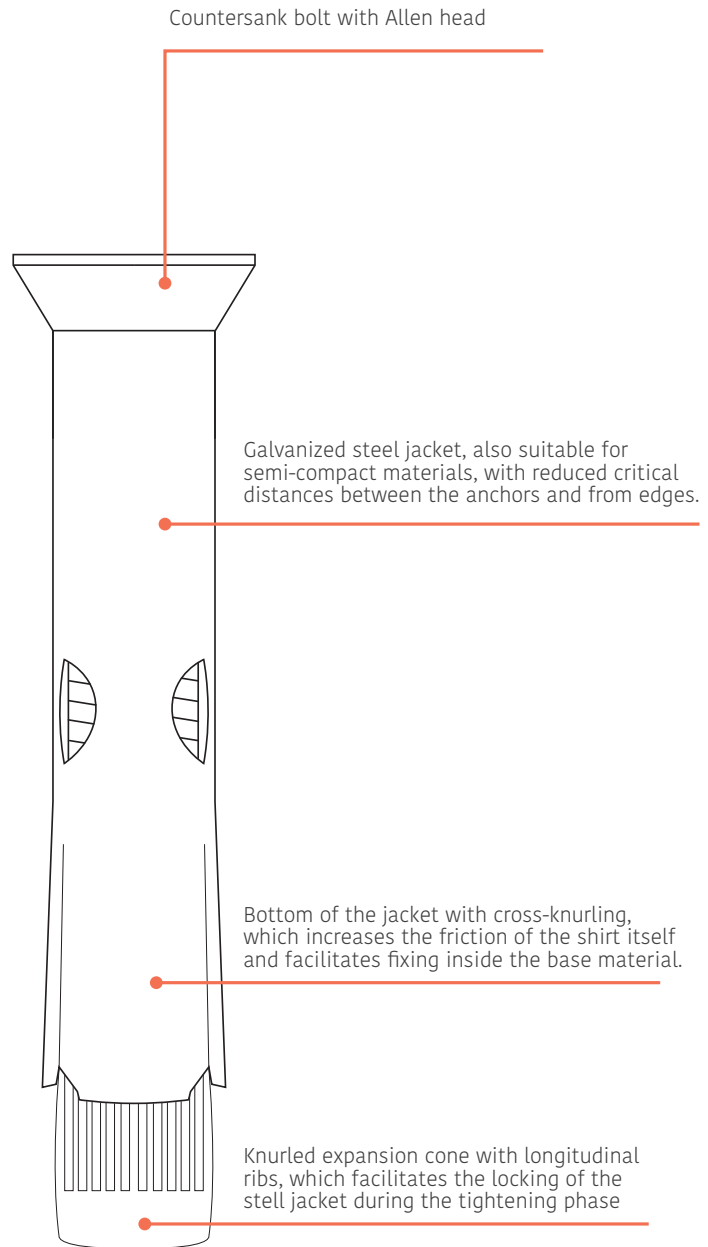
ETAG 001-02 for cracked and un-cracked concrete (cen/ts 1992-4 Mode A)



Code	Description	Ø M	LT mm	Ø T mm	Box	Pack
NB121000	Sleeve anchor DIBOLT E8x65 with screw TE 8.8 cert. ETAG CE	6	65	8	100 pcs	4 Boxes
NB121001	Sleeve anchor DIBOLT E8x100 with screw TE 8.8 cert. ETAG CE	6	100	8	100 pcs	4 Boxes
NB121002	Sleeve anchor DIBOLT E10x70 with screw TE 8.8 cert. ETAG CE	8	70	10	50 pcs	6 Boxes
NB121003	Sleeve anchor DIBOLT E10x100 with screw TE 8.8 cert. ETAG CE	8	100	10	50 pcs	6 Boxes
NB121004	Sleeve anchor DIBOLT E10x120 with screw TE 8.8 cert. ETAG CE	8	120	10	50 pcs	4 Boxes
NB121005	Sleeve anchor DIBOLT E12x80 with screw TE 8.8 cert. ETAG CE	10	80	12	50 pcs	4 Boxes
NB121006	Sleeve anchor DIBOLT E12x100 with screw TE 8.8 cert. ETAG CE	10	100	12	50 pcs	2 Boxes
NB121007	Sleeve anchor DIBOLT E12x120 with screw TE 8.8 cert. ETAG CE	10	120	12	50 pcs	2 Boxes
NB121008	Sleeve anchor DIBOLT E16x90 with screw TE 8.8 cert. ETAG CE	12	90	16	25 pcs	2 Boxes
NB121009	Sleeve anchor DIBOLT E16x110 with screw TE 8.8 cert. ETAG CE	12	110	16	25 pcs	2 Boxes
NB121010	Sleeve anchor DIBOLT E16x130 with screw TE 8.8 cert. ETAG CE	12	130	16	25 pcs	2 Boxes

DIBOLT-SV

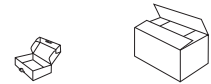
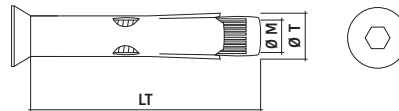
Sleeve anchor, in light steel with expansion. Suitable for applications on compact and semi-compact materials for medium-capacity loads. Recommended for metal carpentry, temporary structures, industrial shelving, awnings, anchoring of air conditioning, hydraulic and electrical systems, shelves, stairs, elevator tracks, cable carrier structures, gates and railings, road signs, street furniture, windows, etc..



Sleeve anchors

SUPPORT MATERIAL CONCRETE, NATURAL STONE, SOLID BRICKS, SOLID CONCRETE BRICK

DIBOLT-SV - Sleeve anchor with Allen head 10.9



Code	Description	Ø M	LT mm	Ø T mm	Box	Pack
NB61750	Sleeve anchor DIBOLT-SV E8x50 with countersunk screw	6	50	8	100 pcs	5 Boxes
NB61755	Sleeve anchor DIBOLT-SV E8x70 with countersunk screw	6	70	8	100 pcs	5 Boxes
NB61760	Sleeve anchor DIBOLT-SV E10x55 with countersunk screw	8	55	10	50 pcs	5 Boxes
NB61765	Sleeve anchor DIBOLT-SV E10x75 with countersunk screw	8	75	10	50 pcs	5 Boxes
NB61770	Sleeve anchor DIBOLT-SV E10x100 with countersunk screw	8	100	10	50 pcs	5 Boxes
NB61775	Sleeve anchor DIBOLT-SV E12x65 with countersunk screw	10	65	12	50 pcs	5 Boxes
NB61780	Sleeve anchor DIBOLT-SV E12x80 with countersunk screw	10	80	12	50 pcs	5 Boxes
NB61785	Sleeve anchor DIBOLT-SV E12x100 with countersunk screw	10	100	12	50 pcs	5 Boxes
NB61790	Sleeve anchor DIBOLT-SV E12x120 with countersunk screw	10	120	12	50 pcs	5 Boxes

▶▶ Designed for professionals

A Unique Range to Do It All

Nobex is the chosen partner for professionals seeking reliable, **no-compromise solutions**. We understand the needs of those who work in the field every day and know how important it is to rely on high-quality products that are **easy to select and always available**. That's why we offer a complete range designed to meet every need with precision.

Our products are born from a deep understanding of the industry's real needs. Every solution is engineered to deliver high performance, safety, and long-term durability – because the right fastening isn't just a detail, it's a key factor in the success of any job.

In the Nobex catalog, professionals will find everything they need, with the confidence of choosing solutions designed to make a real difference.



Discover the NOBEX range





OUR BRANDS



NOBEX s.r.l. Via Monviso, 5
I - 27010 Siziano (PV)
T. +39 0381 650082 - WhatsApp +39 340 4090146
mail. info@nobex.it - nobex.it

follow us on   

